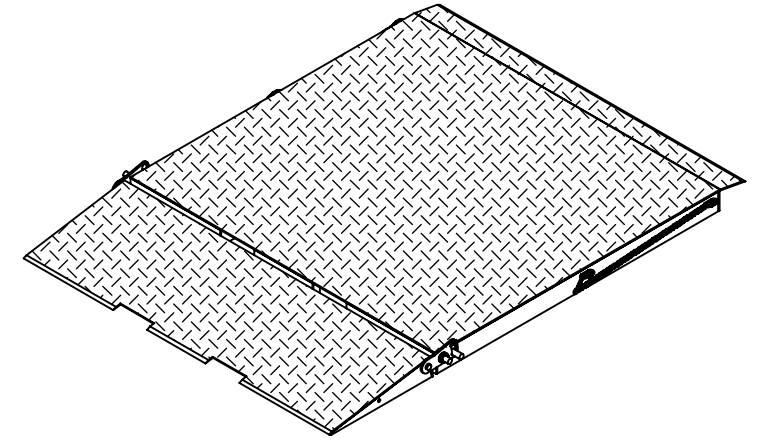
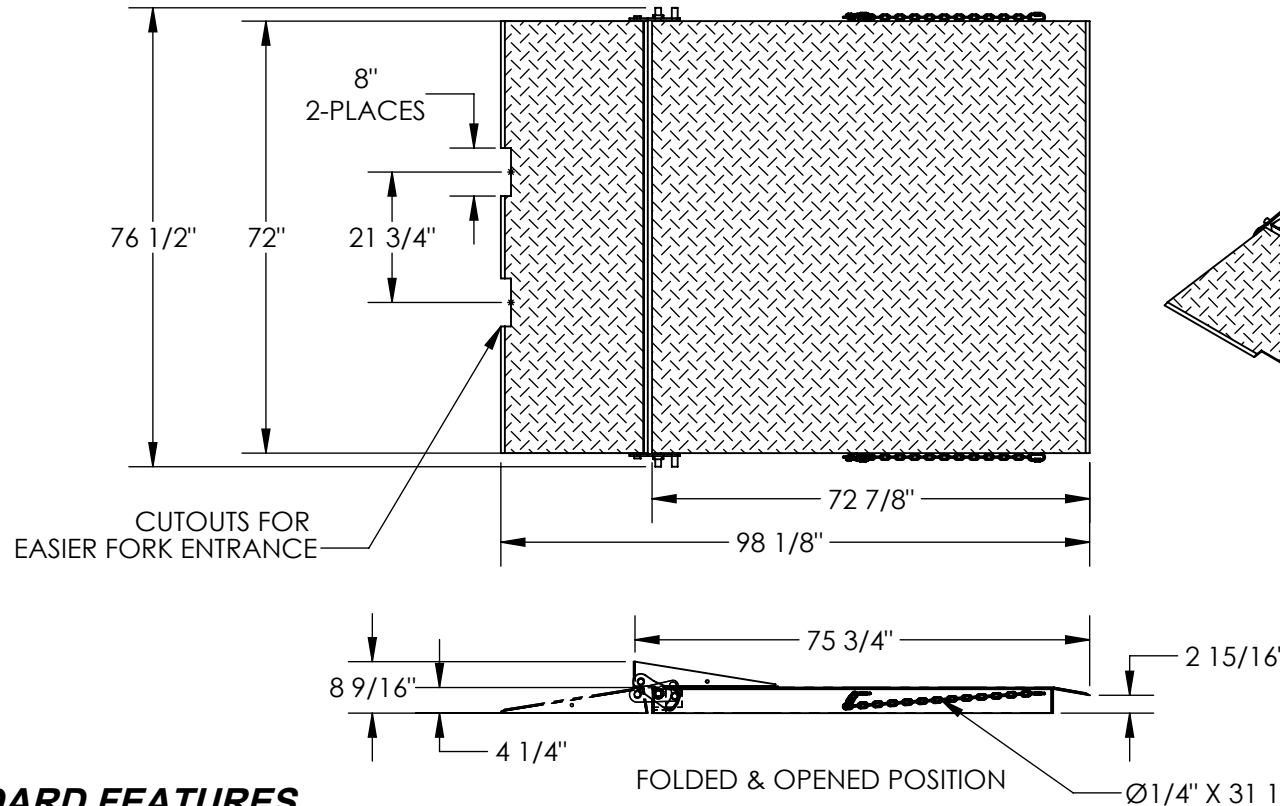


STEEL CONTAINER RAMP - SCR-72

APPROX WEIGHT: 745.16 lbs.
DOES NOT INCLUDE WEIGHT OF POWER OR PACKAGING!!!

*** ANY ADDITIONS, DELETIONS, OR OMISSIONS MUST BE CORRECTED ON THIS DRAWING AS THIS DRAWING WILL BE CONSIDERED ALL INCLUSIVE ***

ALL GRAPHICS PROVIDED ARE FOR REFERENCE ONLY. IF CERTAIN DIMENSIONS ARE CRITICAL PLEASE VERIFY THOSE DIMENSIONS WITH YOUR SALESPERSON



STANDARD FEATURES

- MODEL NUMBER IS SCR-72
- MAX UNIFORM CAPACITY IS 15,000 LBS
- OVERALL WIDTH IS 76 1/2"
- RAMP AND PLATFORM WIDTH IS 72"
- OVERALL LENGTH IS:
 - FULLY OPEN: 98 1/8"
 - FOLDED: 75 3/4"
- OVERALL HEIGHT IS:
 - FULLY OPEN: 4 1/4"
 - FOLDED: 8 9/16"

- MAIN DECK RAMP GROUND CLEARANCE IS 2 15/16"
- PLATFORM HAS (2) Ø1/4" X 31 1/2" CHAINS
- 8"W FORK POCKETS ON 21 3/4" CENTERS
- FORK POCKET HEIGHT IS 3" ON MAIN DECK (NOT SHOWN)
- ENTRY RAMP FOLDS BACK ON TO MAIN DECK FOR EASY TRANSPORT WITHOUT HAVING TO LEAVE THE FORK TRUCK

SPECIAL FEATURES

NONE

FOLDED & OPENED POSITION
Ø1/4" X 31 1/2" CHAINS W/ 5/16" QUICK LINK

DIMENSION TOLERANCE ± 1/4"

FOR INTERNAL USE ONLY
PROJECT SIGN OFF

SALES	
ENG.	
FAB.	
POWER	

APPROVAL

I, THE UNDERSIGNED, AGREE THAT THE PRODUCT AS REPRESENTED SATISFIES DESIGN AND DIMENSION REQUIREMENTS. I ALSO ACKNOWLEDGE MY DUTY TO CONFIRM PRODUCT AND INSTALLATION COMPLIANCE WITH ALL APPLICABLE FEDERAL, STATE AND LOCAL REGULATIONS AND STANDARDS.

ANY MODIFIED UNITS ARE NON-RETURNABLE

[] As drawn [] As marked

Signed: _____ Date: _____

Printed Name: _____

LEAD TIME WILL START UPON RECEIPT OF SIGNED APPROVAL DRAWING

DISTRIBUTOR'S NAME:		P.O.#
VESTIL MANUFACTURING		X
DRAWN BY: DY		W.O.#
DATE: 09/06/11		X
REFERENCE: X	SCALE: 1:32	SALES: X
QUOTED LEAD TIME: X	QUOTE #	FILE NAME:
	X	23-007-378